

# Beamex PG

PRESSURE GENERATORS

78977348759834759843  
87984654746746  
7987465465465132132131  
62587965836458734657  
655367875684653400

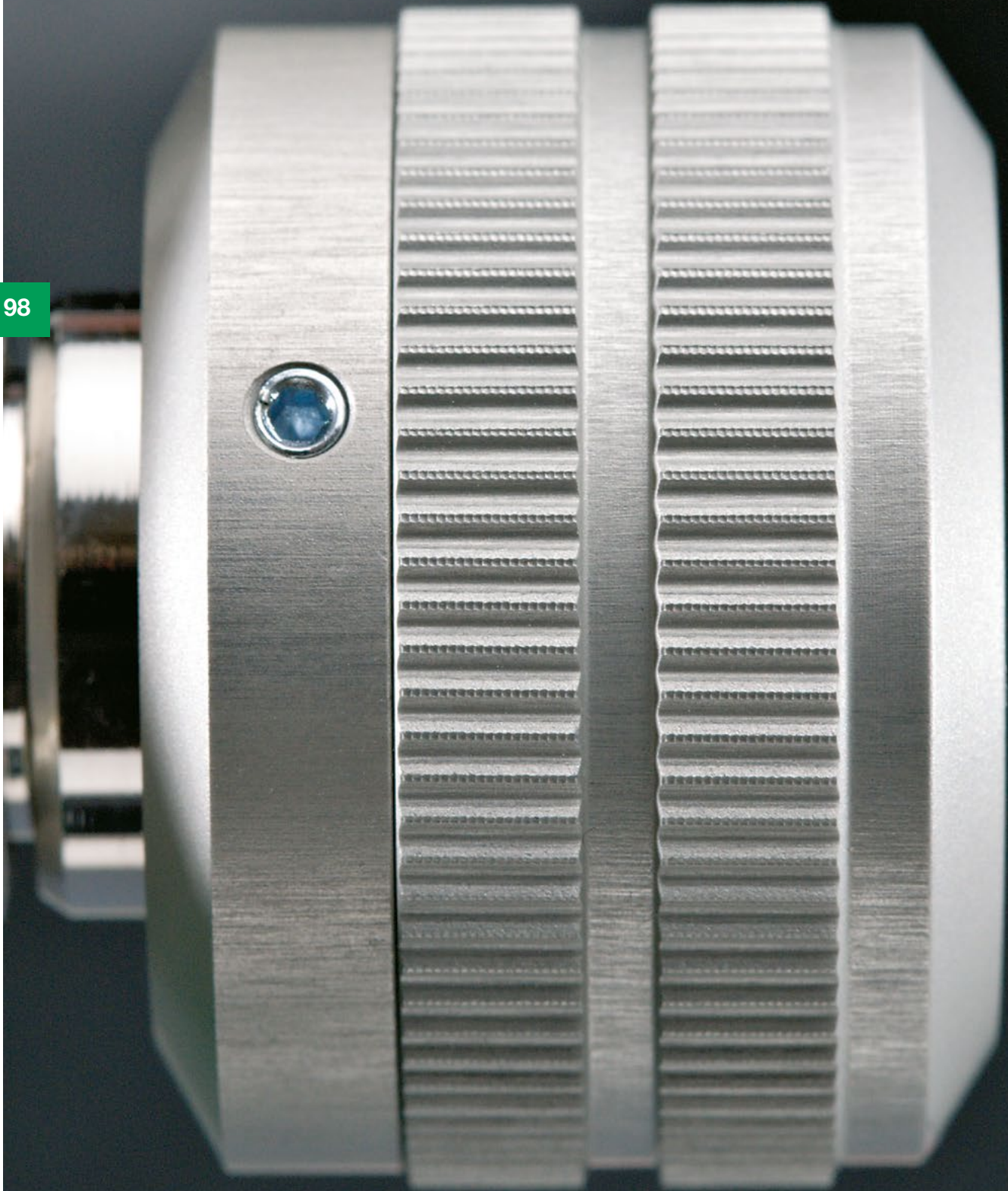


Beamex PGM | PGV | PGC | PGHH | PGPH | PGL

Beamex PG pressure generators are portable hand-operated pressure generators and ultimate field calibration pumps

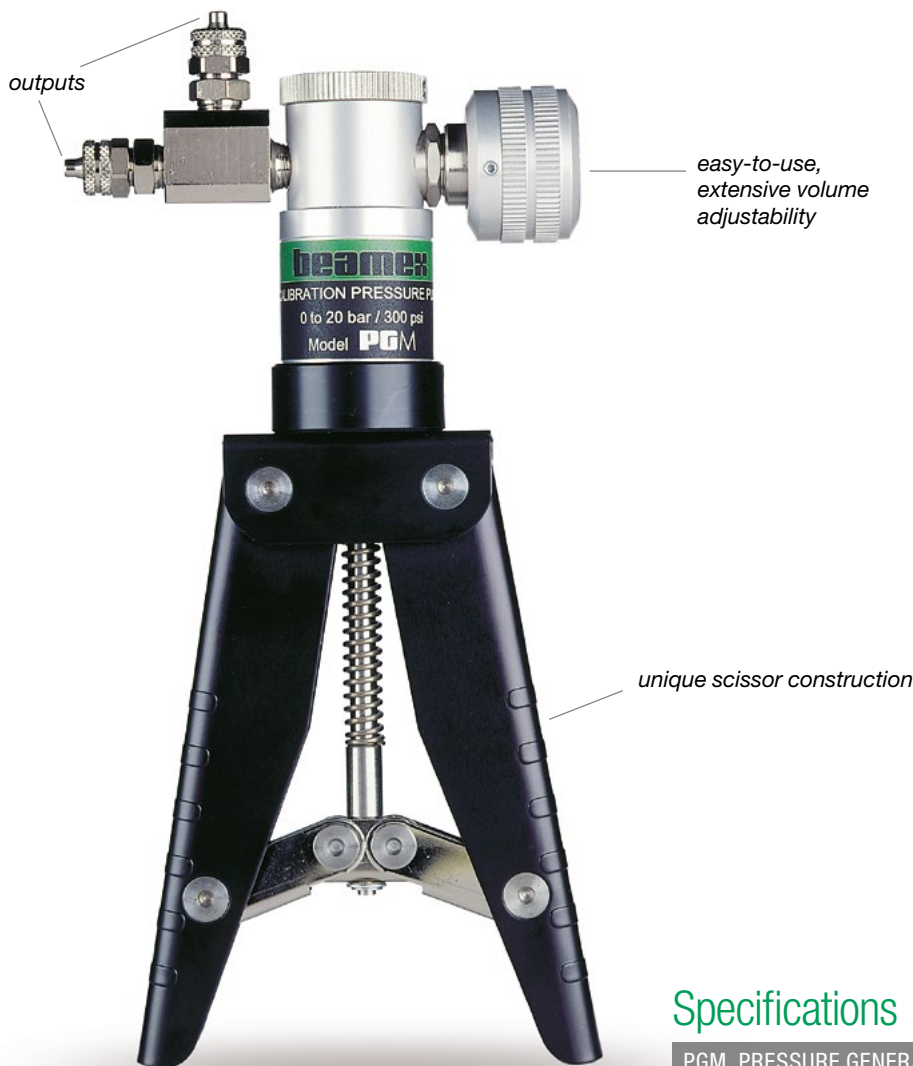


# Calibration pumps



# PGM

PRESSURE GENERATOR MEDIUM 0...20 bar / 0...300 psi



99

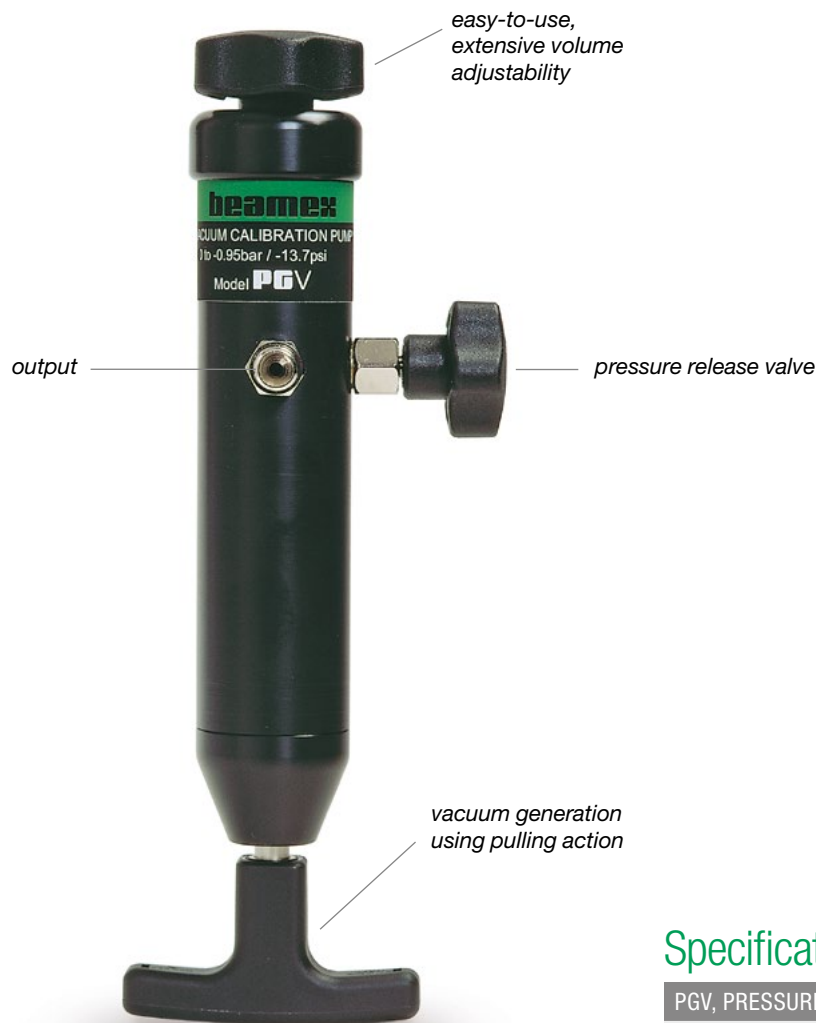
**The PGM** is a hand-operated pressure calibration pump that uses air as its pressure medium. The extremely accurate volume control provides the excellent fine adjustment of pressure. The pump's unique and sturdy construction makes the PGM the ultimate field calibration pump.

## Specifications

|                                |   |
|--------------------------------|---|
| PGM, PRESSURE GENERATOR MEDIUM |   |
| Output pressure:               | 0 ... 20 bar / 0 ... 300 psi  |
| Pressure media:                | Air   |
| Outlet connector:              | 2 x 1/8" NPT female   |
| Dimensions:                    | 223 mm x 96 mm x 38 mm<br>8.78" x 3.78" x 1.5"  |
| Weight:                        | 400 g / 0.9 lb  |
| Standard delivery:             | <ul style="list-style-type: none"><li>• Service seal kit</li><li>• Opening tool</li><li>• Output adapters:<ul style="list-style-type: none"><li>– G 1/8" male 60° int. cone</li><li>– 2 x connector for 1/8" ID hose</li><li>– 2 x connector for 1/8" ID / 1/4" OD hose with nut</li><li>– plug</li></ul></li></ul> |
| Optional accessories:          | <ul style="list-style-type: none"><li>• Carrying case</li><li>• Hose 1.5 m</li><li>• T-tubing set with connectors</li></ul>   |

# PGV

VACUUM GENERATOR 0...–0.95 bar / 0...–13.7 psi



100

**The PGV** is a highly efficient vacuum pump generating vacuum quickly using a pulling action. The extensive volume control provides fine adjustment of the generated vacuum. The compact, sturdy and lightweight construction is designed for use in tough field environments.

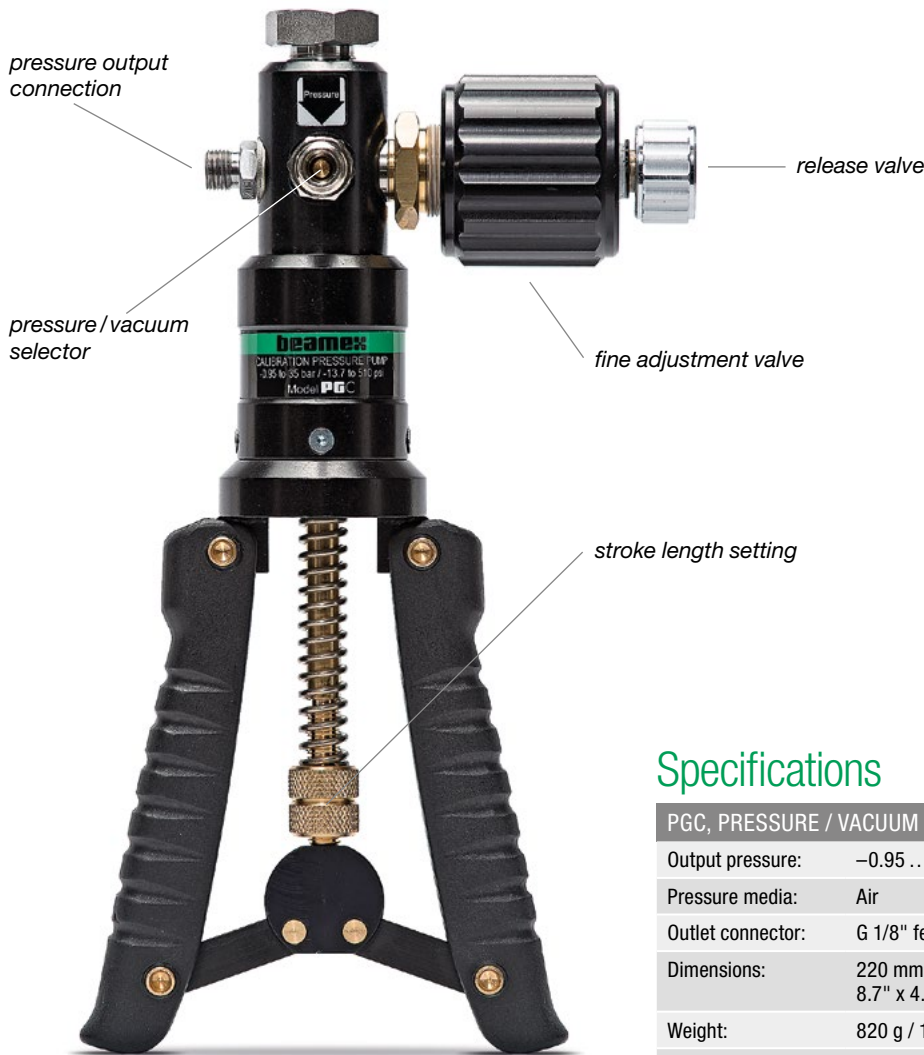
## Specifications

| PGV, PRESSURE GENERATOR VACUUM |  |
|--------------------------------|--|
| Output pressure:               | 0 ... –0.95 bar / 0 ... –13.7 psi  |
| Pressure media:                | Air  |
| Outlet connector:              | G 1/8" male 60° int. cone  |
| Dimensions:                    | Diameter 35 mm / 1.38"<br>Length, min 230 mm / 9.06"<br>Length, max 322 mm / 12.68"  |
| Weight:                        | 340 g / 0.75 lb  |
| Standard delivery:             | <ul style="list-style-type: none"><li>• Service seal kit</li><li>• Opening tool</li><li>• R 1/8" 60° female to 1/4 NPT male for connecting the pressure measurement hose to the instrument to be calibrated.</li><li>• Pressure hose 0.75 m / 2'5 1/2" with R 1/8" 60° male connector at both ends</li></ul> |
| Optional accessories:          | <ul style="list-style-type: none"><li>• Carrying case</li><li>• T-tubing set with connectors</li><li>• 1.5 m / 4'9 hose</li></ul>  |



# PGC

PRESSURE/VACUUM GENERATOR –0.95...35 bar / –13.7...510 psi



101

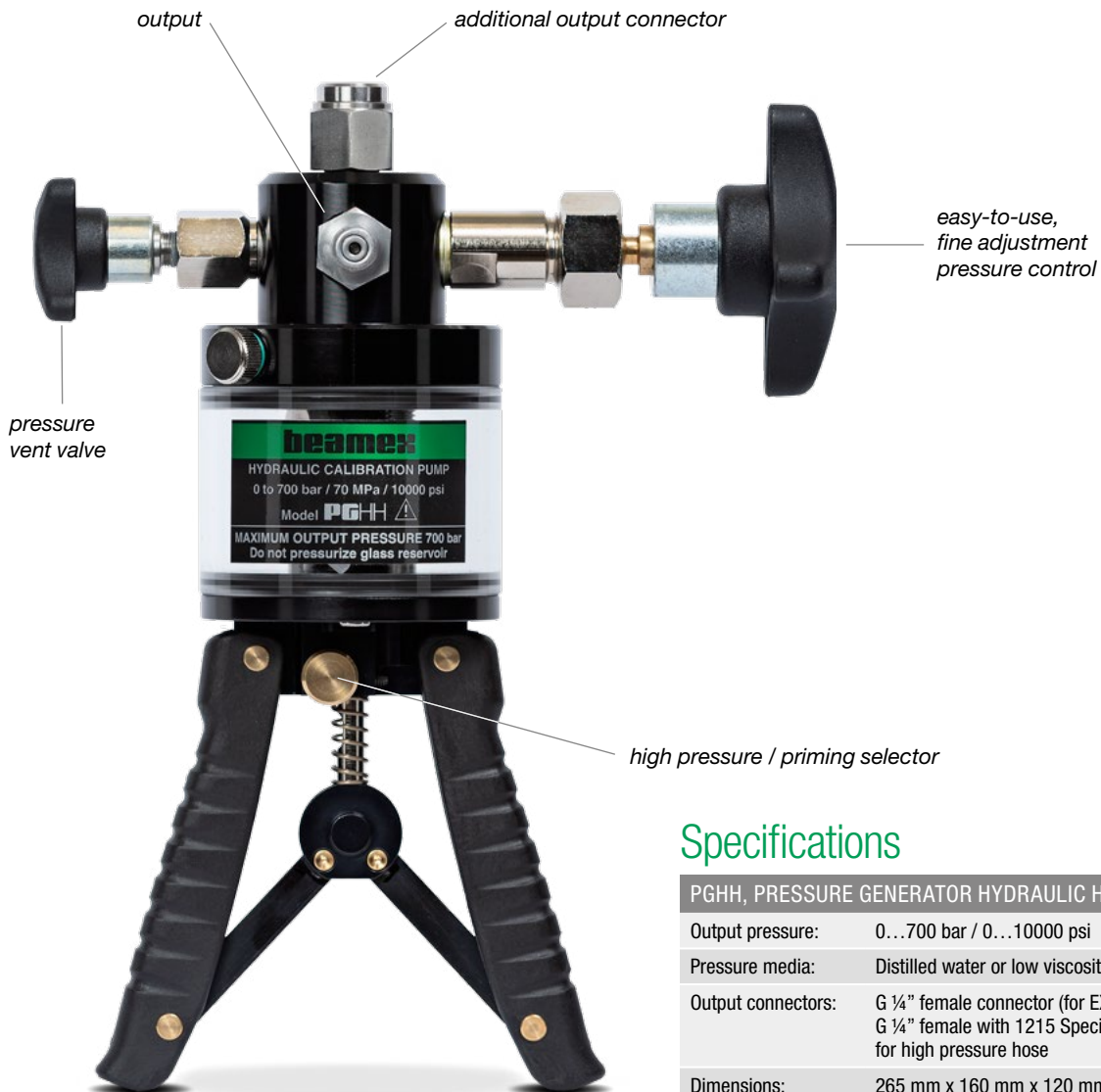
## Specifications

| PGC, PRESSURE / VACUUM GENERATOR |  |
|----------------------------------|--|
| Output pressure:                 | –0.95 ... 35 bar / –13.7 ... 510 psi   |
| Pressure media:                  | Air  |
| Outlet connector:                | G 1/8" female with a 60° male internal conical adaptor   |
| Dimensions:                      | 220 mm x 120 mm x 65 mm<br>8.7" x 4.7" x 2.6"  |
| Weight:                          | 820 g / 1.81 lb  |
| Standard delivery:               | <ul style="list-style-type: none"><li>• Pump</li><li>• 40 bar / 580 psi pressure T-hose</li><li>• Connector kit:<ul style="list-style-type: none"><li>– G 1/8" male, 60° internal cone / G 1/8" male + O-ring</li><li>– G 1/8" male, 60° internal cone / G 1/4" B female + 2 seals</li><li>– G 1/8" male, 60° internal cone / G 1/4" NPT male</li></ul></li><li>• Carrying case</li><li>• Instruction manual</li></ul> |
| Optional accessories:            | <ul style="list-style-type: none"><li>• Service seal kit containing a set of seals and gaskets</li><li>• Fine adjustment valve including relief valve and gaskets</li><li>• Upper part of pump (cylinder) including pressure/vacuum selector</li><li>• Bottom part including handles and pistons</li></ul>   |

**The PGC** is a hand-operated calibration pump that can be used to generate pressure and vacuum. Using the pressure/vacuum selector you can quickly select if you want to generate pressure or vacuum. The fine adjustment provide means to accurately fine adjust the generated pressure.

# PGHH

PRESSURE GENERATOR HYDRAULIC HIGH 0...700 bar / 0...10000 PSI



102

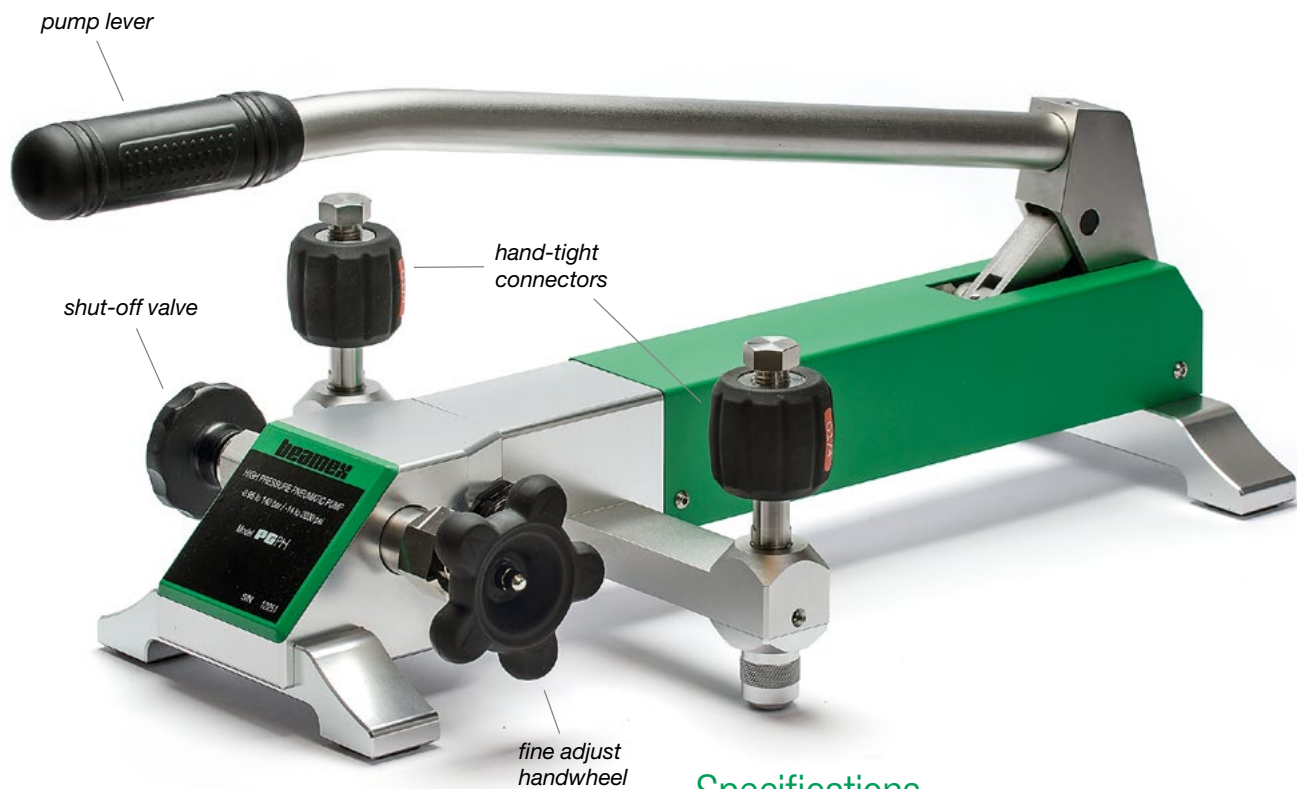
**The PGHH** is a hand-operated, hydraulic, high-pressure generator compatible with different liquids (e.g. mineral oil, distilled water, etc.). The pump is equipped with an adjustable volume control for fine-tuning generated pressure. PGHH also includes a prime/high stroke selector for easy use.

## Specifications

| PGHH, PRESSURE GENERATOR HYDRAULIC HIGH |  |
|---|--|
| Output pressure:                        | 0...700 bar / 0...10000 psi  |
| Pressure media:                         | Distilled water or low viscosity mineral oil   |
| Output connectors:                      | G 1/4" female connector (for EXT pressure module)<br>G 1/4" female with 1215 Special male adaptor<br>for high pressure hose  |
| Dimensions:                             | 265 mm x 160 mm x 120 mm<br>10.4" x 6.3" x 4.7"  |
| Weight:                                 | 1.3 kg / 2.87 lb   |
| Standard delivery:                      | <ul style="list-style-type: none"><li>• PGHH Pump</li><li>• Carrying case</li><li>• A 1 meter (3.28 feet) high-pressure hose with two 1215 Special female connectors and a 1/4" NPT male / 1215 Special male adaptor for device under test</li><li>• Sealing rings</li><li>• Refill bottle</li><li>• User manual</li></ul> |
| Optional accessories:                   | <ul style="list-style-type: none"><li>• High pressure hoses and adaptors</li><li>• Sealing rings</li><li>• Maintenance kit</li></ul>   |

# PGPH

PRESSURE GENERATOR PNEUMATIC HIGH –0.95...140 bar / –13.7...2000 psi



103

## Specifications

| PGPH, PRESSURE GENERATOR PNEUMATIC HIGH |  |
|---|--|
| Pressure range:                         | –0.95...140 bar / –13.7...2000 psi   |
| Output threads:                         | 2 x G 1/4" female  |
| Temperature:                            | 0...50 °C / 32...122 °F  |
| Humidity:                               | < 85% RH   |
| Adjusting sensitivity:                  | 0.1 mbar (0.001 psi)   |
| Safety pressure:                        | < 180 bar (2 600 psi)  |
| Pressure media:                         | Air  |
| Dimensions:                             | 54 cm x 27 cm x 18 cm<br>21.26" x 10.63" x 7.09"   |
| Weight:                                 | 7.1 kg / 15.7 lb   |
| Standard delivery:                      | <ul style="list-style-type: none"><li>• Output connectors:<ul style="list-style-type: none"><li>– G 1/4" (Male) Plug x 1</li></ul></li><li>• A small bag (20 pcs.) of o-rings (sealing rings) type: NBR70 (size 6x2)</li><li>• User guide</li></ul>  |
| Optional accessories:                   | <ul style="list-style-type: none"><li>• Carrying case</li><li>• Maintenance kit</li><li>• Lubricant for the axle of fine adjustment</li><li>• High pressure hose 1 m with G 1/4" and G 1/8" male connectors for connecting the pump to the calibrator's internal high pressure module (not needed if an external high pressure module is available)</li><li>• High pressure hose 1 m with G 1/4" and 1/4" NPT connectors for connecting the pump to the instrument</li></ul> |

**The PGPH** is a hand-operated pneumatic (air as pressure medium) high-pressure table pressure generator. The pump is efficient in generating both vacuum and high pressure up to 140 bar (2,000 psi) quickly and effortlessly. It takes less than one minute to generate the maximum pressure. The PGPH is equipped with an adjustable volume control, providing excellent fine-tuning of generated pressure, and two hand-tight connectors allowing fast and easy connections without the need for any tools.

# PGL

PRESSURE GENERATOR LOW –400...400 mbar / –160...160 iwc



104

## Specifications

| PGL, PRESSURE GENERATOR LOW                     |  |
|---|--|
| Pressure range:                                 | –400...400 mbar / –160...160 iwc   |
| Output threads:                                 | 1 x G 1/8" female  |
| Output adapters (hand-tightened and removable): | Standard delivery:<br>• G 1/8" / 60–G1/8"<br>Nipple for 4 mm ID hose   |
| Temperature:                                    | 0...50 °C / 32...122 °F  |
| Humidity:                                       | < 95% RH   |
| Adjusting sensitivity:                          | 1 Pa / 0.01 mbar / 0.1 mmH <sub>2</sub> O / 0.004 inH <sub>2</sub> O   |
| Safety pressure:                                | < 4 bar / 1 600 iwc  |
| Pressure media:                                 | Air  |
| Dimensions:                                     | 24 cm x 11 cm x 14 cm<br>9.45" x 4.33" x 5.51"   |
| Weight:   | 1.2 kg / 2.6 lb  |
| Standard delivery:                              | <ul style="list-style-type: none"> <li>Output Connectors:<br/>– G 1/8" / 60–G1/8" installed in the pump<br/>– Nipple for 4 mm ID hose</li> <li>A small bag (10 pcs.) of o-rings in size and type: 10.1 mm x 1.6 mm NBR 70</li> <li>User Guide</li> </ul> |
| Optional accessories:                           | <ul style="list-style-type: none"> <li>Carrying case</li> <li>Maintenance kit</li> <li>Extra output Connectors (same as in the standard delivery)</li> <li>Lubricant for the axle of the pressure adjust and fine adjustment handles</li> </ul>          |

**The PGL** is a hand-operated pressure table pump for low pressure using air as its pressure medium. The pump is equipped with an isothermal bellows chamber for reducing possible environmental temperature changes during the calibration process. With the screw-operated volume control and fine adjustment, an extremely accurate and stable pressure adjustment is possible.